

Project Name: \_\_\_\_\_ AIA#: \_\_\_\_\_

Model #: \_\_\_\_\_ Location: \_\_\_\_\_

SIS#: \_\_\_\_\_ Item #: \_\_\_\_\_ Quantity: \_\_\_\_\_



# Premium Heavy-Duty Automatic Slicer

## Precise - Powerful - Premium Construction

The all-new, heavy-duty S-Series line of premium slicers from Globe delivers **precision, performance, industry-leading convenience, superior cleanability and lasting value.**



SG13A

**NEW!** Removable Knife makes cleanup easier while providing more operator protection



### Model

SG13A (Advanced Model)

### Standard Features

- Patented anodized aluminum design & construction for quick and easy cleaning
- Patent-pending indexing system enables accurate and precise slice thickness adjustment up to 1-1/8"
- 13" steel knife with hardened edge provides quality slices and higher yield
- Tilting carriage accommodates up to 13.75" H, 8" dia., 11" W large products, like prosciutto, mortadella and bacon
- Advanced meat grip design for superior product hold
- 1/2 HP continuous use knife motor combined with the high efficiency knife drive system delivers optimum power
- No Voltage Release prevents inadvertent reactivation of slicer in the event of interlock or power interruption
- Interlock prevents slicer from operating without the knife cover in place
- Variable speed brushless auto mode motor delivers 3ft. lbs. of peak torque
- Patent-pending auto engagement system prevents slippage
- Lift lever to facilitate ease of cleaning
- Top mounted, removable sharpening system utilizes long-lasting synthetic diamond surfaces and enables quick and easy sharpening and cleaning
- Patent-pending graphic user interface with Clear-Text LCD display provides operator messages, diagnostics and system information in English, Spanish and French
- Home Start – carriage must be in home position to start slicer
- Carriage tilt interlock – prevents knife exposure when carriage is tilted and prevents slicer from operating
- Return to Home feature returns carriage to home position when powering off motor
- Adjustable timer – shuts off slicer after inactivity
- Close to Stop – closing slicer table shuts off slicer
- 3 cut lengths and 4 speeds

### Warranty

- Two year parts and labor
- Lifetime warranty on sharpening stones

### Factory Installed Options

- **NEW!** KNIFE-RMV - Removable Knife includes removal tool
- **NEW!** CARRIAGE-RMV - Removable Carriage
- SSK - Stainless Steel Knife in lieu of Carbon Steel

### Optional Accessories

- S-FENCE - Food Fence
- S-VEGHOP - Vegetable Hopper
- SC-LARGE - Slicer Cover
- S-SLAWTRAY - Slaw Tray
- S-LEGS - Extension Legs
- SCALE MOUNT-S - Scale Mount
- S-XDSL A - Extended Warranty

To select factory-installed options and accessories, see back

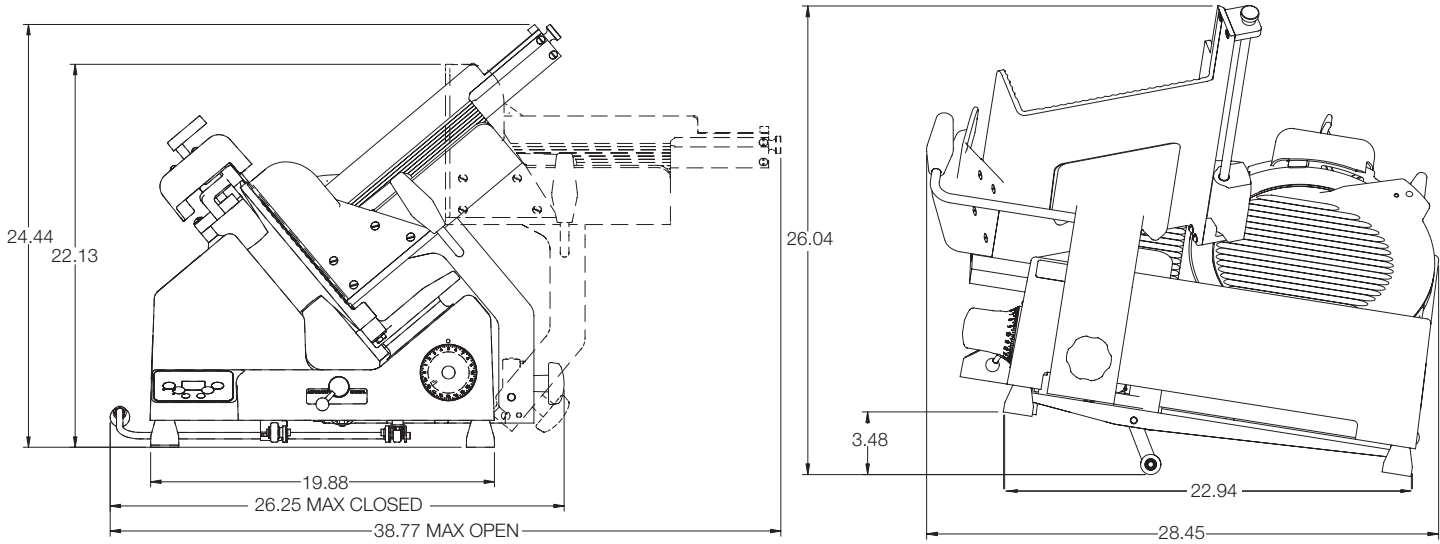
Approved by: \_\_\_\_\_ Date: \_\_\_\_\_



REVIT



AutoQuotes



UNIT: Inches  
 Drawings available through KCL. [www.kclcad.com](http://www.kclcad.com)

SPECIFICATIONS												
Model	Motor	Volts	Amps	NEMA Plug Type	Drive Type	Slicing Vol. / Day	Cheese Slicing	Blade Diameter	Max Slice	Product Cutting Capacity		
										D (Diameter)	H (Height)	W (Width)
SG13A	1/2 HP	115-60-1	2.5	5-15	Poly-V Belt	All Day		13" (33.02 cm)	1-1/8" (2.857 cm)	8" (20.32 cm)	13.75" (35 cm)	11" (27.94 cm)
SG13A-05	1/2 HP	220-60-1	1.5	6-15P	Poly-V Belt	All Day		13" (33.02 cm)	1-1/8" (2.857 cm)	8" (20.32 cm)	13.75" (35 cm)	11" (27.94 cm)
SG13A-07	1/2 HP	220-50-1	1.5	CEE7/7	Poly-V Belt	All Day		13" (33.02 cm)	1-1/8" (2.857 cm)	8" (20.32 cm)	13.75" (35 cm)	11" (27.94 cm)

**Cord & Plug:** Attached 7 ft. flexible 3-wire cord with molded plug fits a grounded receptacle. *Please specify desired plug configuration when ordering.*

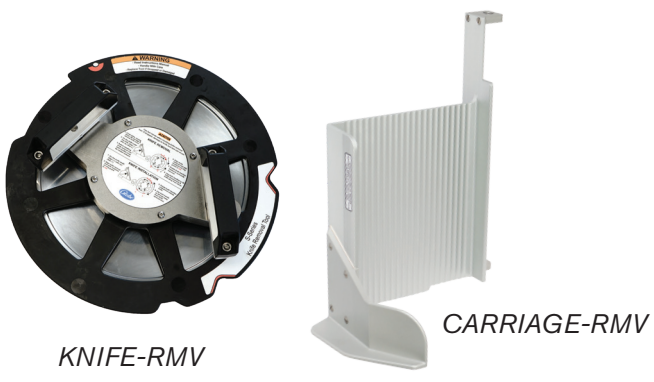
**DIMENSIONS | SHIPPING INFORMATION**

Reinforced carton for shipping. The weight and dimensions of this reinforced carton are included below and may vary from shipment to shipment. **Shipped on a pallet. Freight class 85.**

Model	Max Overall Dimensions	Net Weight	Shipping Dimensions	Shipping Weight
SG13A	38.7" W x 26.7" D x 20.9" H (98.5 cm x 68 cm x 53.1 cm)	127 lbs. (57.61 kg)	31.5" W x 31.5" D x 31.5" H (80 cm x 80 cm x 80 cm)	143 lbs. (64.86 kg)

- FACTORY INSTALLED OPTIONS:**
- NEW!** KNIFE-RMV - Removable Knife includes removal tool
  - NEW!** CARRIAGE-RMV - Removable Carriage
  - SSK - Stainless steel knife in lieu of Carbon Steel

- OPTIONAL ACCESSORIES:**
- S-FENCE - Food Fence
  - S-VEGHOP - Vegetable Hopper
  - SC-LARGE - Slicer Cover
  - S-SLAWTRAY - Slaw Tray
  - S-LEGS - 2.5" Extension Legs
  - SCALE MOUNT-S - Mount for Globe 10 lb. scale
  - S-XDSL A - Extended Warranty



Constructed of anodized aluminum with built-in Clear-Text display/control panel. 1/2 HP motor with overload protection and 13" hardened steel knife. Patent-pending indexing system with slice thickness adjustment up to 1-1/8". Top mounted removable sharpener with synthetic diamond stone wheel and plate. Tilting carriage accommodates up to 13.75" H, 8" dia., 11" W large products. Adjustable cut length and speed. Slicer is ETL listed. No Voltage Release and Knife Cover Interlock. Additional features include Home Start, Return to Home, Adjustable Timer, Close to Stop, Carriage Tilt Interlock and Clear-Text Display with services and operation/diagnostics. Two year parts and labor slicer warranty, lifetime warranty on sharpening stones.