



## Specifications

### Capacity (Dual Range):

0-15 x 0.005lb, 15-30 x 0.01lb

### Print Speed:

3.2/ 3.9/ 4.7/ 5.9in/sec  
(80/ 100/ 120/ 150 mm/sec)

### Label Size:

Width: 1.2-3.1 in (30-80mm)  
Length: 0.8-7.9in (20-200mm)

### Display:

Operator side: 12 in (800 x 600) color touch panel

Uni-9DB: 8.4 in (800 x 600)

Customer side: 7 in (800 x 480) or 12 in (800 x 600) for bench, 12 in for other models

Type: Five-wire resistive

### Display Items:

Tare: Four-digits

Unit price: Six-digits

Weight: Five-digits

Total price: Six-digits

### Memory:

SSD memory 250MB

### Communications:

Static (DHCP is available) TCP/IP 1G

Base T Ethernet

(auto-duplex) Wireless WEP/WPA/WPA2

### Input/Output:

LAN 1 channel

USB 4 channel

SD 1 channel (SDHC: MAX 4 GB)  
(for transaction data)

Drawer 1 channel

Barcode scanner: Ethernet

### Operating Voltage:

Range: 100-240V, 50/60Hz

Permissible Tolerance: +/- 10%

### Operating Environment:

32 to 104°F (0 to 40°C)

20-85% relative humidity

### Power Supply:

AC100-240V, 50/60Hz

### Power Consumption:

Stand-by: 50W

In operation: 120W

### Classification:

NTEP CC 12-121

UL listed

### Warranty:

One-year limited warranty



## Ishida Uni-9

PC-based, Price Computing Scale/Printer/Color Touchscreen

Uni-9's compact design fits nicely on virtually any size counter, occupying a very small footprint. This PC-based scale is available with a 7- or 12-inch LED backlit customer display for stunning promotional images and videos. The PC-based technology together with a crystal-sharp LED display, provide more marketing capabilities such as video with sound and product pairing promotions. In addition, more behind-the-counter functions such as store intranet access through a browser, recipe lookup, order entry and training videos reduce the need for additional PCs in all departments.

Available with or without a seven-inch customer display, the Uni-9 Series bench scale is ideal for both backroom production or on the countertop. These Uni-9 models can have a wireless remote platform, allowing for work in a more flexible layout.

## Standard Features

- Dual-range weighing
- PC-based scale operating system
- Solid State Drive eliminates moving parts
- Customer display can play video on either 12.1 inch 800 x 600 or 7 inch (800 x 480) bench scale only
- Wireless communication, 802.11 b/g
- Intranet browsing capabilities for order entry, recipe lookup and more
- Fully compliant with RoHS regulations for a completely lead-free machine
- Compatible with third-party communication software, including ADC's InterScale and Invatron's PLUM
- Barcodes: EAN/UPC 8/12/13, ITF FS1, QR CODE, Databar/Limited/Expanded, CODE128, EAN128
- Customizable label formats: 999
- Label printing: Die-cut labels and/or continuous paper
- Up to seven label cassettes allow quick label changing or easy switching to different size labels
- SD memory card slot

PART #	MODEL	WIRELESS	CAPACITY
170097	Uni-9 Bench	√	0-15 x 0.005lb/15-30 x 0.01 lb
170095	Uni-9 Bench Linerless	√	0-15 x 0.005lb/15-30 x 0.01 lb
168873	Uni-9D Bench		0-15 x 0.005lb/15-30 x 0.01 lb
151251	Uni-9 Short Pole	√	0-15 x 0.005lb/15-30 x 0.01 lb
151252	Uni-9 Pole	√	0-15 x 0.005lb/15-30 x 0.01 lb
LABELER			
160262	Uni-9 Bench	√	N/A



Bench model customer display



Short Pole model customer display



Bench model with label



DB bench model

# Ishida Uni-9

PC-based, Price Computing Scale/Printer/Color Touchscreen

PART #	MODEL/DESCRIPTION	WIRELESS	CAPACITY	EST. SHIP WEIGHT	PRICE
170097	Uni-9 Bench	√	0-15 x 0.005lb/15-30 x 0.01lb	35 lb	Consult
170095	Uni-9 Bench Linerless	√	0-15 x 0.005lb/15-30 x 0.01 lb	35lb	Consult
168873	Uni-9D Bench		0-15 x 0.005lb/15-30 x 0.01lb	35lb	Consult
151251	Uni-9 Short Pole	√	0-15 x 0.005lb/15-30 x 0.01 lb	43lb	Consult
151252	Uni-9 Pole	√	0-15 x 0.005lb/15-30 x 0.01 lb	47 lb	Consult
<b>LABELER</b>					
160262	Uni-9 Bench	√	N/A	32lb	Consult

## Options/Accessories

155393	Additional label cassette				Consult
159947	Linerless label cassette				Consult
174110	SD memory card, 2GB				Consult
155395	Larger platter option, (W x D) 14 x 9in				Consult
78860	Cross cable, Ethernet CAT5, 6ft				Consult
155694**	Diamond service agreement for Uni-9 (labor rates set by Rice Lake Weighing Systems)				Consult

## Communication

160259	ScaleLink Pro 5 software CD, license file purchased separately (see page 62)				Consult
152628*	ScaleLink Pro 5 license file, one license required per computer				Consult
174172	Internal wireless communication 802.11 b/g				Consult

## Manuals and Service Tools

118188***	Uni Series support CD-ROM (contains manuals, training videos and libraries)				Consult
160906	USB flash memory, 1 GB				Consult
162196***	Service manual, technical				Consult
162199	Service manual, programming				Consult
162299	Installation manual				Consult

## Label Stock

Please refer to labels section of this catalog for ordering information and case quantity pricing

\*Software key is provided after online registration is completed

\*\*Price shown is net price, no discounts applies to optional service agreements (PN 154694). Warranty effective from date of invoice. Optional service agreement (PN 155694) must be purchased and billed on original invoice of Uni-9 to be considered for compensation. (See page 106 for additional warranty details)

\*\*\*Manuals and software programs can be downloaded from the distributor section of [www.ricelake.com/retail](http://www.ricelake.com/retail)

## Dimensions

Please see next page for model dimensions.



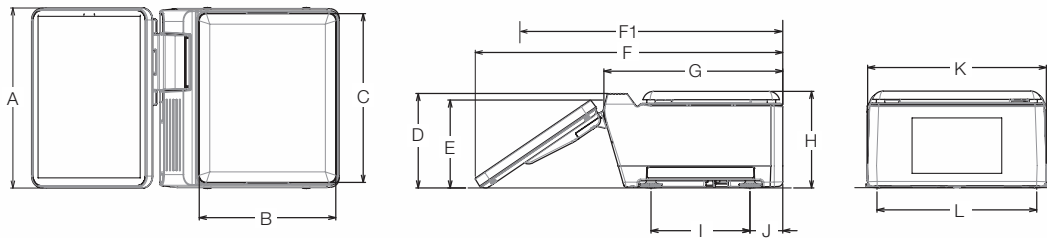
Cassette label load

# Ishida Uni-9

PC based, Price Computing Scale/Printer/Color Touchscreen

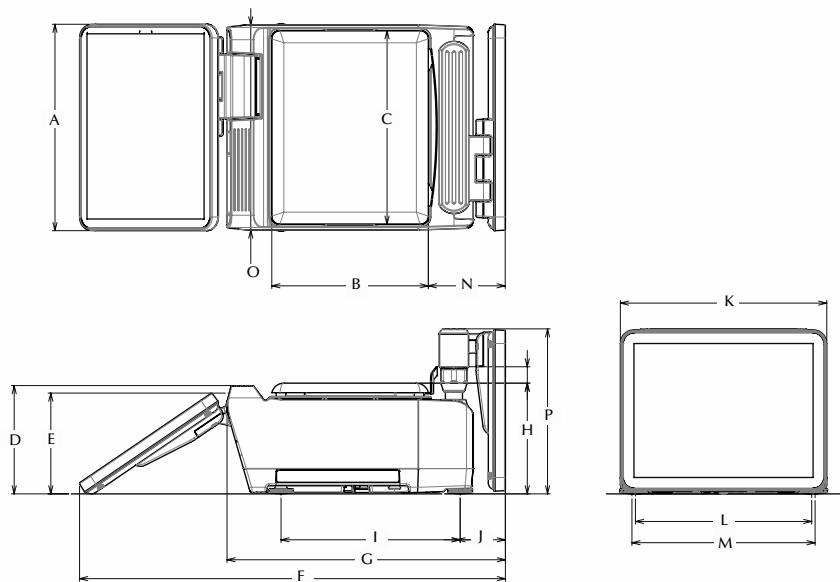
DIMENSIONS BENCH					
<b>A</b>	11.9in (302mm)	<b>E</b>	5.8in (147.5mm)	<b>I</b>	6.5in (166mm)
<b>B</b>	9.0in (229mm)	<b>F</b>	20.3in (516mm)	<b>J</b>	2.2in (55mm)
<b>C</b>	11.1in (283mm)	<b>G</b>	11.8in (300mm)	<b>K</b>	11.8in (300mm)
<b>D</b>	6.2in (158.5mm)	<b>H</b>	6.4in (162mm)	<b>L</b>	10.6in (268mm)

DB MODEL	
<b>F1</b>	16.3in (415mm)



Bench

DIMENSIONS SHORT POLE					
<b>A</b>	11.9in (302mm)	<b>G</b>	16.0in (407mm)	<b>M</b>	10.2in (258mm)
<b>B</b>	9.0in (229mm)	<b>H</b>	6.4in (162mm)	<b>N</b>	4.4in (112.5mm)
<b>C</b>	11.1in (283mm)	<b>I</b>	10.3in (262mm)	<b>O</b>	11.8in (300mm)
<b>D</b>	6.2in (158.5mm)	<b>J</b>	1.9in (47mm)	<b>P</b>	9.5in (241.5mm)
<b>E</b>	5.8in (147.5mm)	<b>K</b>	11.9in (302mm)		
<b>F</b>	24.5in (623mm)	<b>L</b>	10.6in (268mm)		



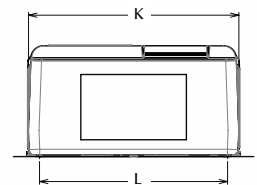
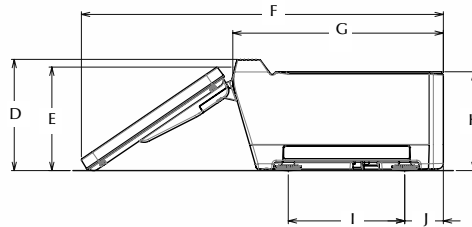
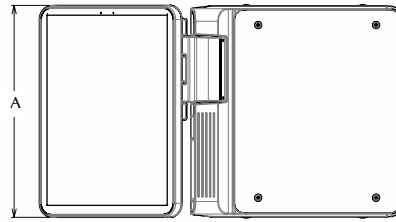
Short Pole

# Ishida Uni-9

PC based, Price Computing Scale/Printer/Color Touchscreen

### DIMENSIONS LABELER

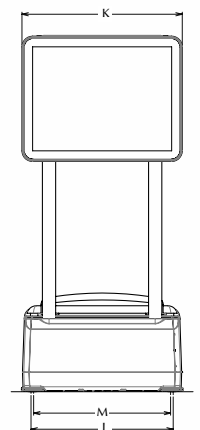
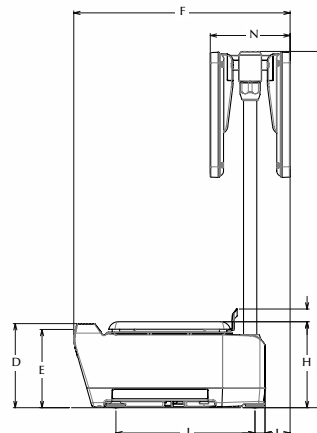
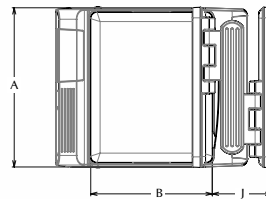
<b>A</b>	11.9in (302mm)	<b>G</b>	11.8in (300mm)	<b>K</b>	11.8in (300mm)
<b>D</b>	6.2in (158.5mm)	<b>H</b>	5.6in (141mm)	<b>L</b>	10.6in (268mm)
<b>E</b>	5.8in (147.5mm)	<b>I</b>	6.5in (166mm)		
<b>F</b>	20.3in (516mm)	<b>J</b>	2.2in (55mm)		



Labeler

### DIMENSIONS ELEVATED KEYBOARD

<b>A</b>	11.8in (300mm)	<b>H</b>	6.4in (162mm)	<b>L</b>	10.6in (268mm)
<b>B</b>	9.0in (229mm)	<b>I</b>	10.3in (262mm)	<b>M</b>	10.2in (258mm)
<b>D</b>	6.2in (158.5mm)	<b>J</b>	1.9in (47mm)	<b>N</b>	5.9in (150mm)
<b>E</b>	5.8in (147.5mm)	<b>K</b>	11.9in (302mm)	<b>P</b>	26.4in (671.5mm)
<b>F</b>	16.1in (408mm)				



Elevated Keyboard